

O-ring Specifications for Standard series

Sonitron part description

Gasket Rubber sealing ring for waterproof assembly.

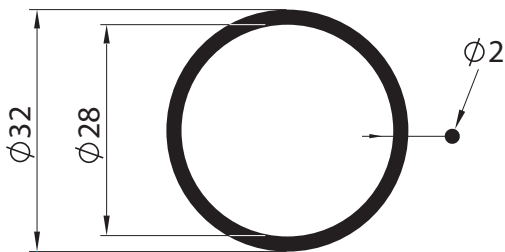
(O-ring) (standard delivered with SP7)

↑
 — **To order an option add the suffix to the model number of the standard series.**

Mechanical part description


O-ring NBR 36624 28x2

Dimensions

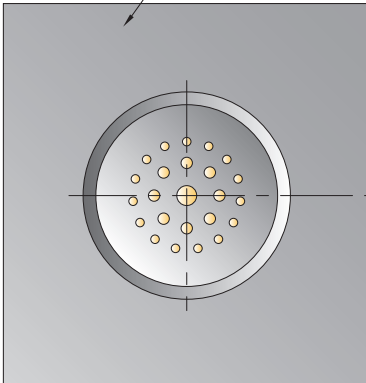


Mounting guidelines

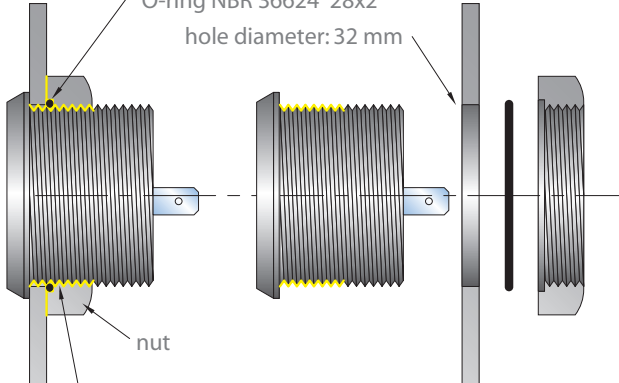
Round flange model
"sealing provision method on a panel"



panel mounting



O-ring for waterproof mounting (optional)
 O-ring NBR 36624 28x2
 hole diameter: 32 mm



nut

~~~~~ **Loctite 5331 gasket sealant is recommended for waterproof sealant. (IP67)**