

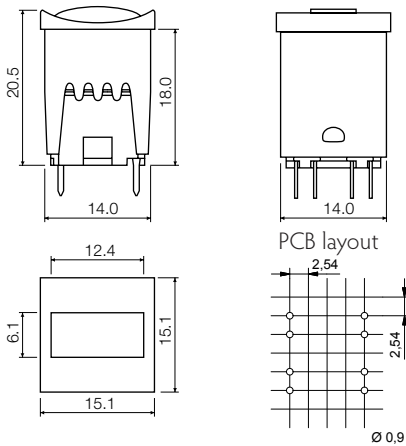


- Square solution
- 15.1mm x 15.1mm
- h=20.5 mm
- Material: ABS
- Temp. Range: -40/+65°C

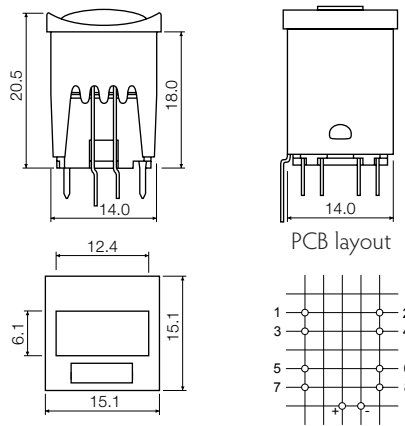
All dimensions in mm

DIMENSIONS

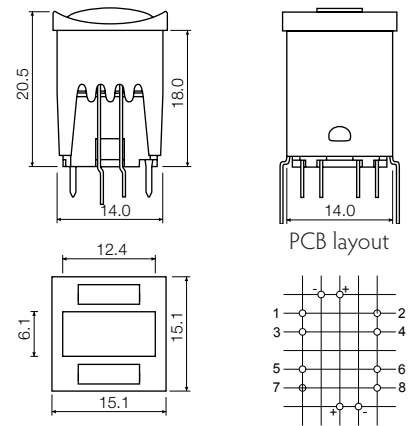
(TH) + 16324



(TH w/LED) + 16325



(TH 2 w/LED) + 16326



NON-ILLUMINATED - HOW TO ORDER

| | | | | | | |
|---|---|------------------|---|---|---|-------------------------|
| Switch | + | Extender | + | Cap | + | Bezel |
| 1 5 4 | | 1 6 2 7 0 | | 1 6 3 0 0 | | 1 6 3 2 4 |
| 15401 mom. silver 15402 mom. gold 15420 silent gold 15451 lat. silver 15452 lat. gold | | | | 00 blue 02 green 03 grey 04 yellow 06 white 08 red 09 black | | 03 grey 09 black |

ILLUMINATED - HOW TO ORDER

| | | | | | | | | | | |
|--------------|---|------------------|---|------------------|---|-----------|---|---------------------------------|---|---------------------------------|
| Switch | + | Extender | + | Cap | + | Bezel | + | Lens | + | LED |
| 1 5 4 | | 1 6 2 7 0 | | 1 6 3 0 0 | | | | 1 6 3 2 7 | | 1 6 9 2 2 |
| | | | | | | 16325 | | 02 green 04 yellow 08 red | | 02 green 04 yellow 08 red |
| | | | | | | 16326 | | Lens 16327 2 required | | LED 16922 2 required |

Ordering example: 15451+16270+1630004+1632403 (non-illuminated) OR 15401+16270+1630008+1632509+1632708+1692208 (illuminated)
Please see colour codes, updates of products and changes of specifications on www.mec.dk