

Plastic Enclosures for Remote Controls (continued)

ECONOMIC

KM14

The enclosure consists of two parts that can be screwed together by means of two screws.



ABS

Part No.	Description, dimensions A x B x C
KM 14	ABS enclosure 14x37x84mm + 1 button
KM 14 N	ABS enclosure 16x36x51mm, black, 1 button, handle
KM 14/6	ABS enclosure 14x37x84mm + 6x button

Part No.	Ord.No.
S KM 14	43263
S KM 14 N	43264
S KM 14/6	60450

KM96

The enclosure consists of two parts that can be clicked together. Delivered in protective package with 2 rubber buttons.



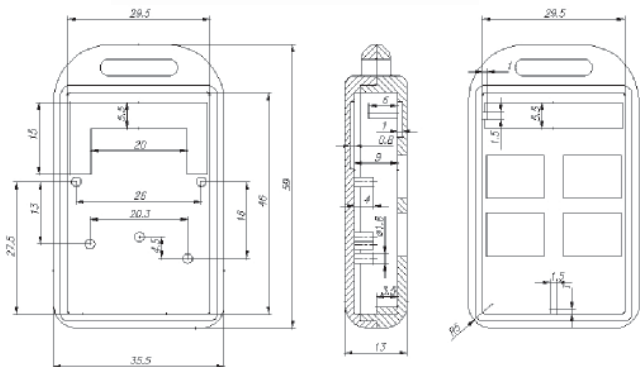
ABS

Part No.	Description, dimensions A x B x C
KM 96	ABS enclosure 46x36x11mm, 2x button

Part No.	Ord.No.
S KM 96	60351

KM102

The enclosure consists of two parts and rubber buttons.



ABS

Part No.	Description,
KM 102	ABS enclosure 13x36x52mm + 4xbutton

Part No.	Ord.No.
S KM 102	60338

Plastic Enclosures for Plug-In Power Supplies

ECONOMIC

EB Series

EB 120.65

ABS enclosure with or without ventilation holes. Accessories (DE, FR socket) is included in delivery.



ABS

Part No.	Description, dimensions A x B x C
EB120.65 CLOSE	ABS enclosure 62x120x65mm without ventilation holes
EB120.65 LOW	ABS enclosure 40x120x65mm without ventilation holes
EB120.65 OPEN	ABS enclosure 62x120x65mm with ventilation holes

Part No.	Ord.No.
S EB120.65 CLOSE	60443
S EB120.65 LOW	60445
S EB120.65 OPEN	60444

EB 96.56

ABS enclosure with or without ventilation holes. Accessories (DE, FR socket) is included in delivery.



ABS

Part No.	Description, dimensions A x B x C
EB96.56 HIGH CLOSE	ABS enclosure 53x96x56mm without ventilation holes.
EB96.56 HIGH OPEN	ABS enclosure 53x96x56mm with ventilation holes
EB96.56 LOW CLOSE	ABS enclosure 31x96x56mm without ventilation holes.

Part No.	Ord.No.
S EB96.56 HIGH CLOSE	60446
S EB96.56 HIGH OPEN	60447
S EB96.56 LOW	60448

KPZ Series

Enclosure with ABS suffix are designed from quality plastic material with higher mechanical resistance and better thermostability. Black colour - RAL 9004. Boxes in ABS version have a valid certificate for use in 230 VAC networks approved by the Electrical Testing Institute in Prague.

What does it mean when the plug is unsecured?

The plug is an individual part, not connected with the enclosure. It can be secured by suitable mounting of a transformer or PCB.

KPZ 2 ABS, KPZ 3 ABS, KPZ 4 ABS, KPZ 9 ABS

2-parts enclosures with ventilation holes (except KPZ 2 ABS), plug, suitable for adapters. The plug is unsecured.



Part No.	Description, dimensions A x B x C
KPZ 2 ABS	ABS enclosure 52x58x72mm, socket plug, leadthrough
KPZ 3 ABS	ABS enclosure 46x53x81mm, ventilation holes, plug, leadthrough
KPZ 4 ABS	ABS enclosure 55x64x82mm, ventilation holes, plug, leadthrough
KPZ 9 ABS	ABS enclosure 37x47x65mm, ventilation holes, plug, leadthrough

Part No.	Ord.No.
S KPZ 2 ABS	7291
S KPZ 3 ABS	43244
S KPZ 4 ABS	6126
S KPZ 9 ABS	56969