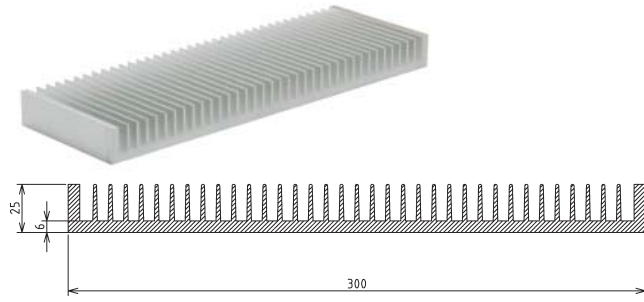


KEA300/XX Series

GAMA aluminium

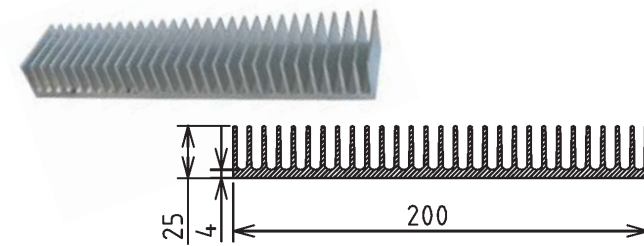


Part No.	Material/Surface Finish	Description
KEA300/40AL	aluminium/non-anodised	L=40mm 300x25

Part No.	Ord.No.
o KEA300/40AL	65681

KEAH200/XX Series

GAMA aluminium

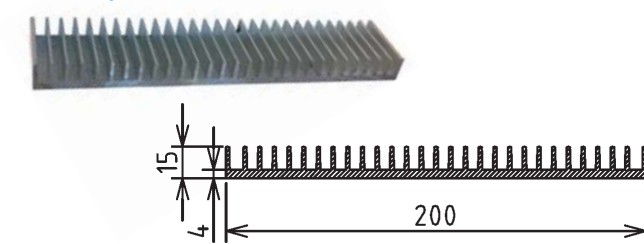


Part No.	Material/Surface Finish	Description
KEAH200/40AL	aluminium/non-anodised	L=40mm 200x25

Part No.	Ord.No.
s KEAH200/40AL	65682

KK200/XX Series

GAMA aluminium

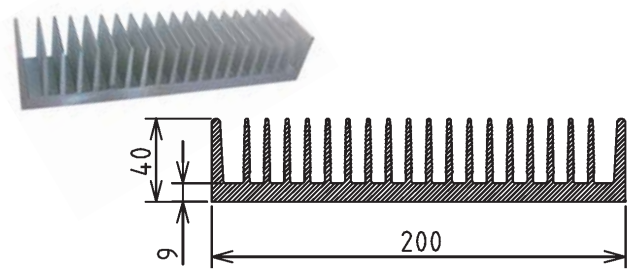


Part No.	Material/Surface Finish	Description
KK200/40AL	aluminium/non-anodised	L=40mm 200x15

Part No.	Ord.No.
s KK200/40AL	65683

IT4375/XX Series

GAMA aluminium

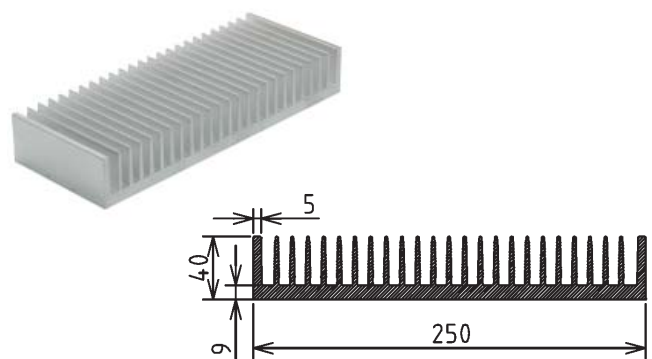


Part No.	Material/Surface Finish	Description
IT4375/40AL	aluminium/non-anodised	L=40mm 200x40
IT4375/60AL	aluminium/non-anodised	L=60mm 200x40

Part No.	Ord.No.
s IT4375/40AL	65662
o IT4375/60AL	65741

IT4376/XX Series

GAMA aluminium

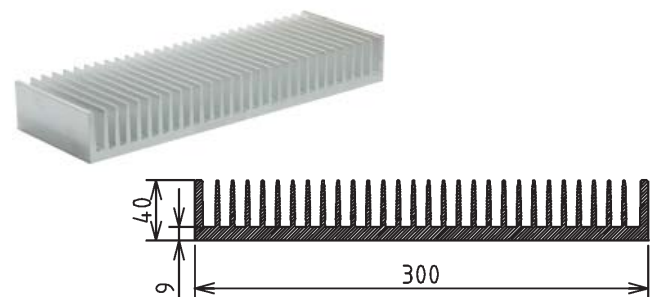


Part No.	Material/Surface Finish	Description
IT4376/40AL	aluminium/non-anodised	L=40mm 250x40
IT4376/60AL	aluminium/non-anodised	L=60mm 250x40

Part No.	Ord.No.
o IT4376/40AL	65663
o IT4376/60AL	65742

IT4377/XX Series

GAMA aluminium



Part No.	Material/Surface Finish	Description
IT4377/40AL	aluminium/non-anodised	L=40mm 300x40
IT4377/60AL	aluminium/non-anodised	L=60mm 300x40

Part No.	Ord.No.
o IT4377/40AL	65664
o IT4377/60AL	65743

Note: Heatsink dimensions are marked in mm.
Code "AL" - Aluminium/non-anodised,
Code "BK" - Aluminium Anodised Black.