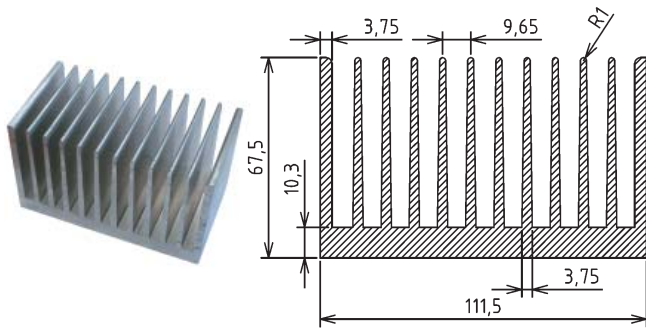


K112/XX Series

GAMA aluminium

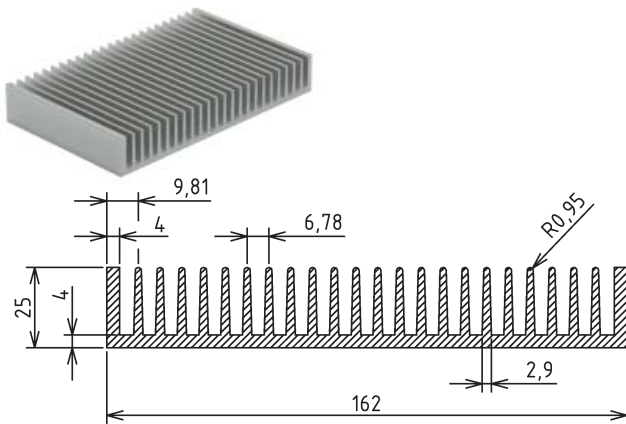


Part No.	Material/Surface Finish	Description
K112/60AL	aluminium/non-anodised	L=60mm 111,5x67,5
K112/80AL	aluminium/non-anodised	L=80mm 111,5x67,5

Part No.	Ord.No.
s K112/60AL	65749
o K112/80AL	65826

K163/XX Series

GAMA aluminium

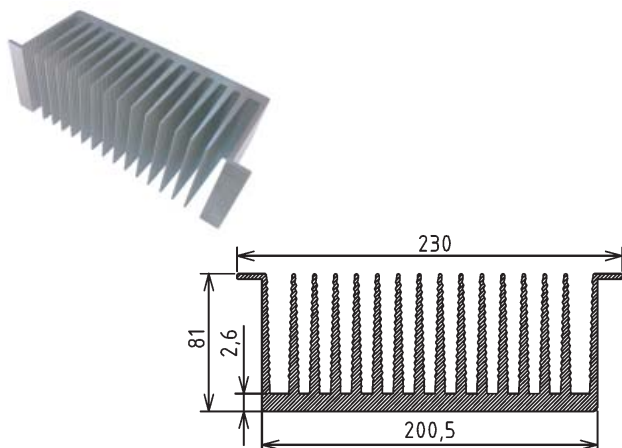


Part No.	Material/Surface Finish	Description
K163/40AL	aluminium/non-anodised	L=40mm 162x25

Part No.	Ord.No.
o K163/40AL	65671

K230/XX Series

GAMA aluminium

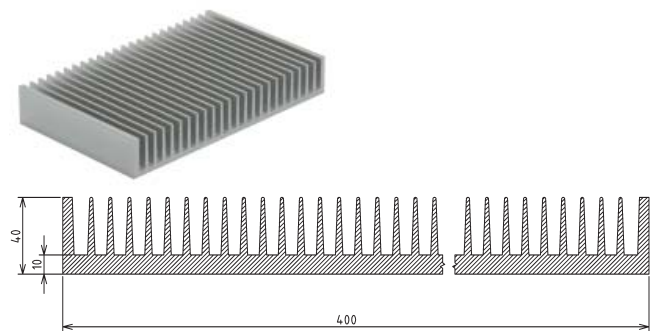


Part No.	Material/Surface Finish	Description
K230/80AL	aluminium/non-anodised	L=80mm 230x81

Part No.	Ord.No.
s K230/80AL	65828

K400/XX Series

GAMA aluminium

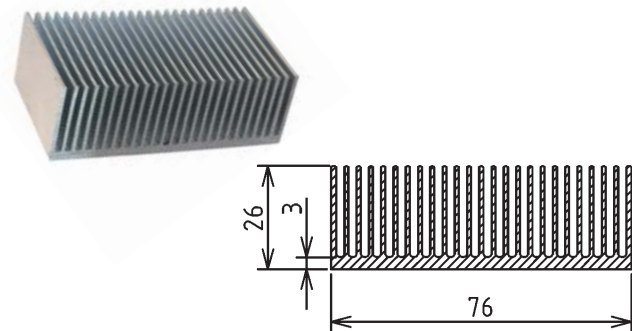


Part No.	Material/Surface Finish	Description
K400/40AL	aluminium/non-anodised	L=40mm 400x40

Part No.	Ord.No.
o K400/40AL	65673

K76/XX Series

GAMA aluminium

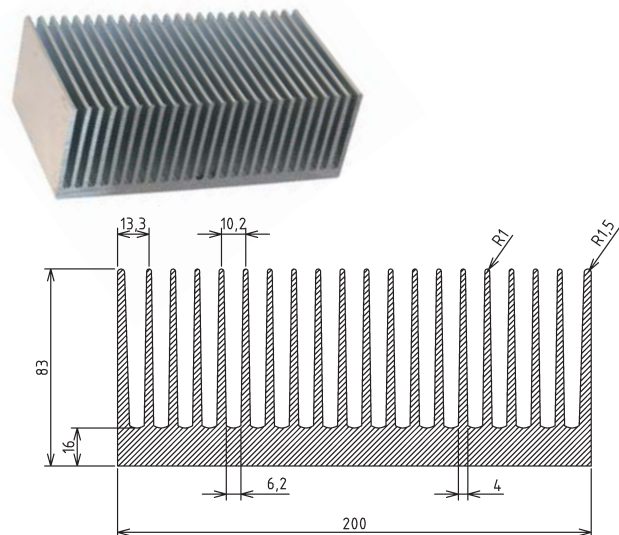


Part No.	Material/Surface Finish	Description
K76/40AL	aluminium/non-anodised	L=40mm 76x26

Part No.	Ord.No.
s K76/40AL	65669

KA200/XX Series

GAMA aluminium



Part No.	Material/Surface Finish	Description
KA200/40AL	aluminium/non-anodised	L=40mm 200x83
KA200/60AL	aluminium/non-anodised	L=60mm 200x83

Part No.	Ord.No.
o KA200/40AL	65674
o KA200/60AL	65753

Note: Heatsink dimensions are marked in mm.
Code "AL" - Aluminium/non-anodised,
Code "BK" - Aluminium Anodised Black.