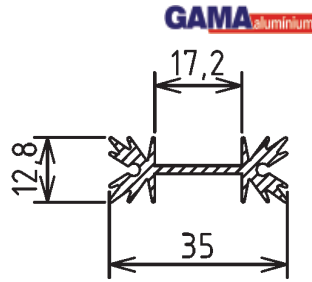


## Standard Heatsinks

(continued)

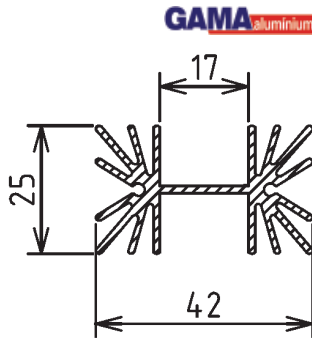
### TEA35/XX Series



Part No.	Material/Surface Finish	Description
TEA35/40AL	Aluminium/non-anodised	L=40mm 35x12,8
TEA35/60AL	Aluminium/non-anodised	L=60mm 35x12,8

Part No.	Ord.No.
s TEA35/40AL	65692
s TEA35/60AL	65771

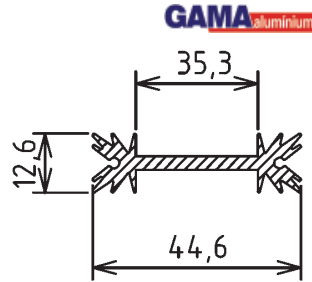
### TEA40/XX Series



Part No.	Material/Surface Finish	Description
TEA40/40AL	Aluminium/non-anodised	L=40mm 42x25
TEA40/60AL	Aluminium/non-anodised	L=60mm 42x25

Part No.	Ord.No.
s TEA40/40AL	65693
s TEA40/60AL	65772

### TEA45/XX Series



Part No.	Material/Surface Finish	Description
TEA45/40AL	Aluminium/non-anodised	L=40mm 44,6x12,6
TEA45/60AL	Aluminium/non-anodised	L=60mm 44,6x12,6

Part No.	Ord.No.
s TEA45/40AL	65694
s TEA45/60AL	65773

### TEAxx Mounting Clips

TEA35 CLIP

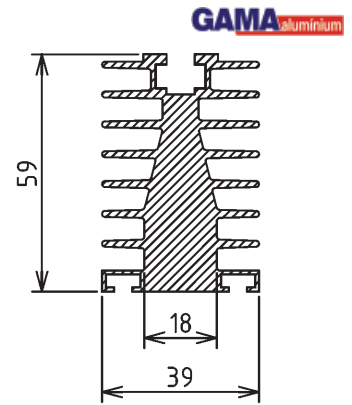
TEA40 CLIP

TEA45 CLIP



Part No.	Ord.No.
s TEA35 CLIP	67588
s TEA40 CLIP	67589
s TEA45 CLIP	67590

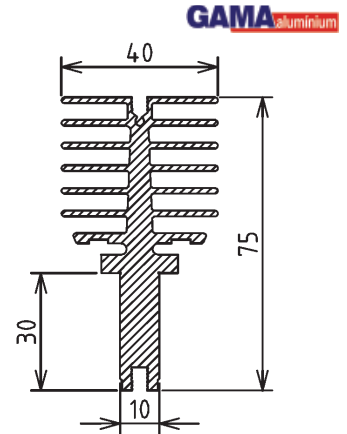
### A59/XX Series



Part No.	Material/Surface Finish	Description
A59/40AL	Aluminium/non-anodised	L=40mm 39x59

Part No.	Ord.No.
s A59/40AL	65651

### A75M/XX Series



Part No.	Material/Surface Finish	Description
A75M/20AL	Aluminium/non-anodised	L=20mm 40x75
A75M/40AL	Aluminium/non-anodised	L=40mm 40x75

Part No.	Ord.No.
s A75M/20AL	67329
s A75M/40AL	65652

### Mounting CLIP 221007



Retaining clip for heatsinks A75, ZH7504, ZH7505

Part No.	Ord.No.
s CLIP 221007	67591

Note: Heatsink dimensions are marked in mm.  
Code "AL" - Aluminium/non-anodised,  
Code "BK" - Aluminium Anodised Black.