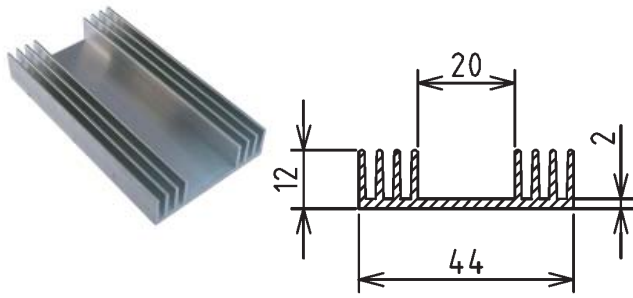


## T44/XX Series

GAMA aluminium

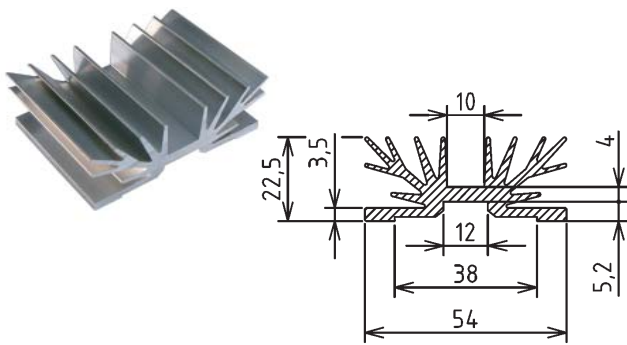


Part No.	Material/Surface Finish	Description
T44/40AL	aluminium/non-anodised	L=40mm 44x12
T44/80AL	aluminium/non-anodised	L=80mm 44x12

Part No.	Ord.No.
S T44/40AL	65686
S T44/80AL	65843

## T54/XX Series

GAMA aluminium

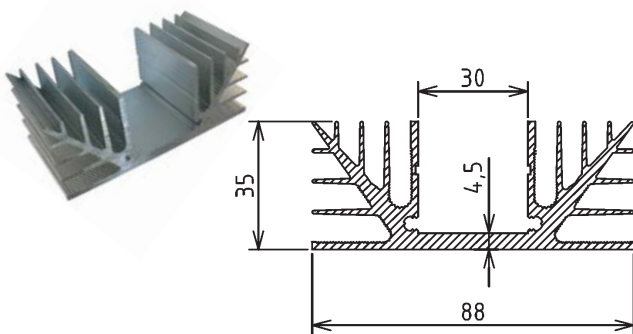


Part No.	Material/Surface Finish	Description
T54/40AL	aluminium/non-anodised	L=40mm 54x22,5
T54/60AL	aluminium/non-anodised	L=60mm 54x22,5
T54/100AL	aluminium/non-anodised	L=100mm 54x22,5

Part No.	Ord.No.
S T54/40AL	65687
O T54/60AL	65766
O T54/100AL	65919

## T88/XX Series

GAMA aluminium

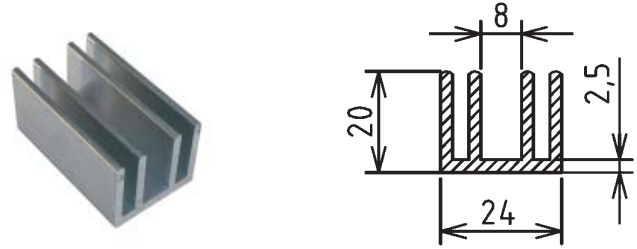


Part No.	Material/Surface Finish	Description
T88/40AL	aluminium/non-anodised	L=40mm 88x35
T88/60AL	aluminium/non-anodised	L=60mm 88x35
T88/80AL	aluminium/non-anodised	L=80mm 88x35

Part No.	Ord.No.
S T88/40AL	65688
O T88/60AL	65767
S T88/80AL	65845

## TE25/XX Series

GAMA aluminium

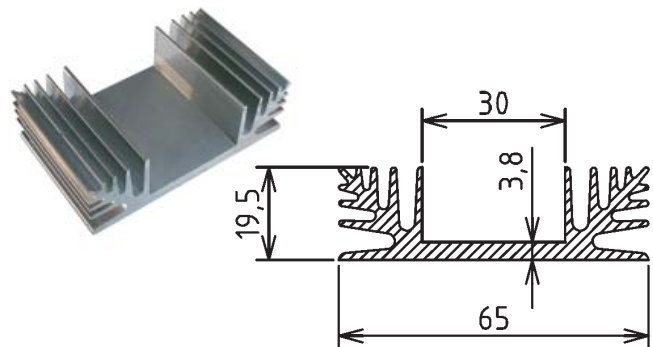


Part No.	Material/Surface Finish	Description
TE25/40AL	aluminium/non-anodised	L=40mm 24x20
TE25/80AL	aluminium/non-anodised	L=80mm 24x20

Part No.	Ord.No.
S TE25/40AL	65689
O TE25/80AL	65846

## TE65/XX Series

GAMA aluminium

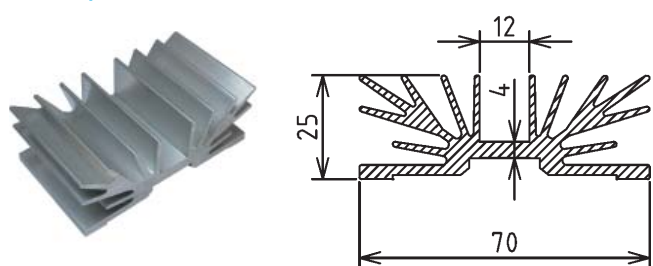


Part No.	Material/Surface Finish	Description
TE65/40AL	aluminium/non-anodised	L=40mm 65x19,5
TE65/60AL	aluminium/non-anodised	L=60mm 65x19,5
TE65/80AL	aluminium/non-anodised	L=80mm 65x19,5
TE65/100AL	aluminium/non-anodised	L=100mm 65x19,5

Part No.	Ord.No.
S TE65/40AL	65690
O TE65/60AL	65769
O TE65/80AL	65847
O TE65/100AL	65922

## TE70/XX Series

GAMA aluminium



Part No.	Material/Surface Finish	Description
TE70/40AL	aluminium/non-anodised	L=40mm 70x25
TE70/60AL	aluminium/non-anodised	L=60mm 70x25
TE70/80AL	aluminium/non-anodised	L=80mm 70x25

Part No.	Ord.No.
S TE70/40AL	65691
O TE70/60AL	65770
O TE70/80AL	65848

Note: Heatsink dimensions are marked in mm.  
Code "AL" - Aluminium/non-anodised,  
Code "BK" - Aluminium Anodised Black.