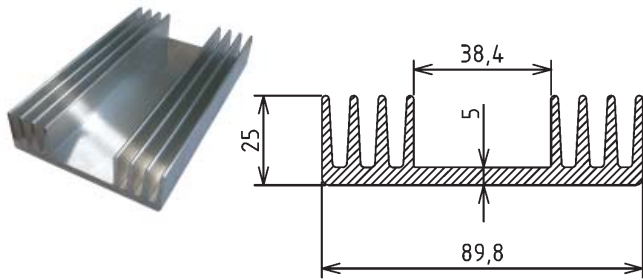


## ZH-1910/XX Series

GAMA aluminium

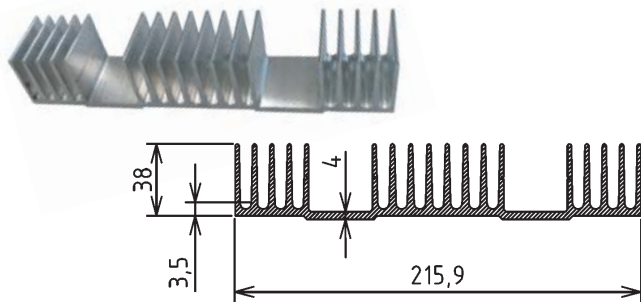


Part No.	Material/Surface Finish	Description
ZH-1910/60AL	aluminium/non-anodised	L=60mm 89,8x25
ZH-1910/100AL	aluminium/non-anodised	L=100mm 89,8x25
ZH-1910/150AL	aluminium/non-anodised	L=150mm 89,8x25

Part No.	Ord.No.
o ZH-1910/60AL	65702
o ZH-1910/100AL	65856
s ZH-1910/150AL	62432

## ZH-1929/XX Series

GAMA aluminium

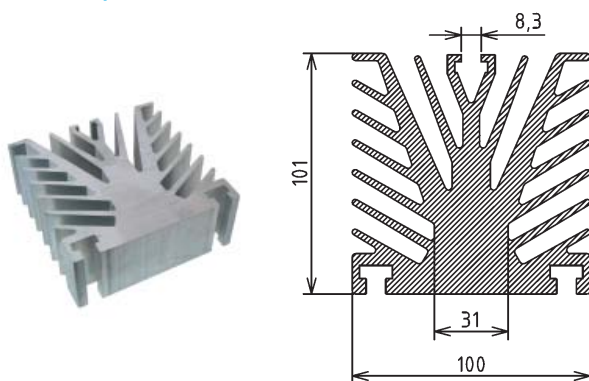


Part No.	Thermal Res.	Mat./Surface Finish	Description
ZH-1929/40AL	0,5K/W/100mm	Al/non-anodised	L=40mm 215,9x38
ZH-1929/60AL	0,5K/W/100mm	Al/non-anodised	L=60mm 215,9x38
ZH-1929/100AL	0,5K/W/100mm	Al/non-anodised	L=100mm 215x38

Part No.	Ord.No.
s ZH-1929/40AL	8080
o ZH-1929/60AL	65703
o ZH-1929/100AL	65857

## ZH-2117/XX Series

GAMA aluminium

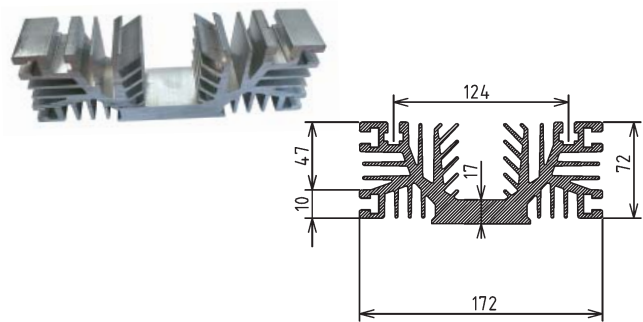


Part No.	Material/Surface Finish	Description
ZH-2117/40AL	aluminium/non-anodised	L=40mm 100x101
ZH-2117/80AL	aluminium/non-anodised	L=80mm 100x101

Part No.	Ord.No.
s ZH-2117/40AL	65627
o ZH-2117/80AL	65781

## ZH-2428/XX Series

GAMA aluminium

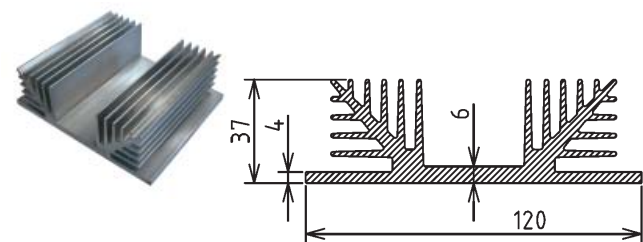


Part No.	Material/Surface Finish	Description
ZH-2428/40AL	aluminium/non-anodised	L=40mm 172x72
ZH-2428/80AL	aluminium/non-anodised	L=80mm 172x72

Part No.	Ord.No.
s ZH-2428/40AL	65628
o ZH-2428/80AL	65782

## ZH-2476/XX Series

GAMA aluminium

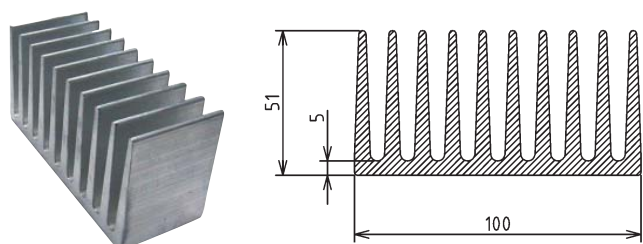


Part No.	Thermal Res.	Mat./Surface Finish	Description
ZH-2476/40AL	0,8K/W/100mm	Al/non-anodised	L=40mm 120x37
ZH-2476/60AL	0,8K/W/100mm	Al/non-anodised	L=60mm 120x37
ZH-2476/80AL	0,8K/W/100mm	Al/non-anodised	L=80mm 120x37
ZH-2476/100AL	0,8K/W/100mm	Al/non-anodised	L=100mm 120x37

Part No.	Ord.No.
s ZH-2476/40AL	8079
o ZH-2476/60AL	65706
o ZH-2476/80AL	62471
s ZH-2476/100AL	65860

## ZH-2533/XX Series

GAMA aluminium



Part No.	Thermal Res.	Mat./Surface Finish	Description
ZH-2533/40AL	0,8K/W/100mm	Al/non-anodised	L=40mm 100x51
ZH-2533/100AL	0,8K/W/100mm	Al/non-anodised	L=100mm 100x51

Part No.	Ord.No.
s ZH-2533/40AL	8078
o ZH-2533/100AL	65861

Note: Heatsink dimensions are marked in mm.  
Code "AL" - Aluminium/non-anodised,  
Code "BK" - Aluminium Anodised Black.